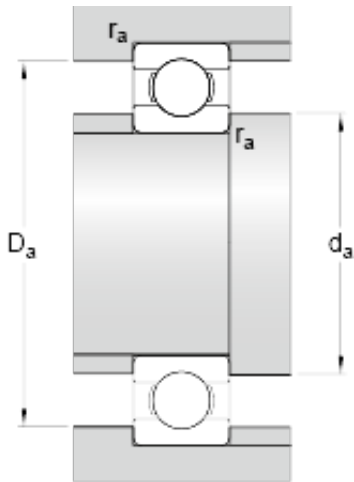




NTN BEARING USA CORP.



15 mm x 32 mm x 9 mm skf 6002/HC5C3
Hybrid deep groove ball bearings, single row

Bearing No. 6002/HC5C3

6002/HC5C3 Bearing 2D drawings and 3D CAD models

d	15 mm
D	32 mm
B	9 mm
d ₁	20.5 mm
D ₁	26.7 mm
r _{1,2} min.	0.3 mm
d _a min.	17 mm
D _a max.	30 mm
r _a max.	0.3 mm
Basic dynamic load rating C	5.85 kN
Basic static load rating C ₀	2.85 kN
Fatigue load limit P _u	0.12 kN
Reference speed	56000 r/min
Limiting speed	34000 r/min
Calculation factor k _r	0.025
Calculation factor f ₀	13.9
Mass bearing	0.03 kg