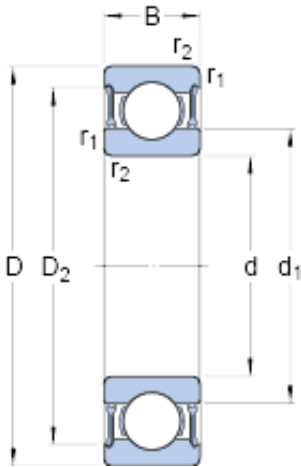




# NTN BEARING USA CORP.



30 mm x 62 mm x 16 mm skf  
 6206-2RZTN9/Hybrid deep groove  
 ball bearings, single row

Bearing No. 6206-2RZTN9/Hybrid

6206-2RZTN9/Hybrid Bearing 2D drawings and 3D  
 CAD models

Size	62x30x16 mm
Bore Diameter	62 mm
Outer Diameter	30 mm
Width	16 mm
d	30 mm
D	62 mm
B	16 mm
d <sub>1</sub>	40.36 mm
D <sub>2</sub>	54.1 mm
r <sub>1,2</sub> - min.	1 mm
d <sub>a</sub> - min.	35.6 mm
d <sub>a</sub> - max.	40.3 mm
D <sub>a</sub> - max.	56.4 mm
r <sub>a</sub> - max.	1 mm
Basic dynamic load rating - C	20.3 kN
Basic static load rating - C <sub>0</sub>	11.2 kN
Fatigue load limit - P <sub>u</sub>	0.475 kN
Reference speed	32000 r/min
Limiting speed	18000 r/min
Calculation factor - k <sub>r</sub>	0.025
Calculation factor - f <sub>0</sub>	13.8
Category	Single Row Ball Bearings
Inventory	0.0



## NTN BEARING USA CORP.

Manufacturer Name	SKF
Minimum Buy Quantity	N/A
Weight / Kilogram	0.19
EAN	7316571529295
Product Group	B00308
Enclosure	2 Seals
Precision Class	ABEC 1   ISO P0
Maximum Capacity / Filling Slot	No
Rolling Element	Ball Bearing
Snap Ring	No
Internal Special Features	Silicon Nitride Rolling Element   Electrical Insulated
Cage Material	Polyamide
Enclosure Type	Non-Contact Seal
Internal Clearance	C3-Loose
Inch - Metric	Metric
Long Description	30MM Bore; 62MM Outside Diameter; 16MM Outer Race Width; 2 Seals; Ball Bearing; ABEC 1   ISO P0; No Filling Slot; No Snap Ring; Silicon Nitride Rolling Element   Electrical Insulated Internal Special
Other Features	Deep Groove   NBR Seal   Hybrid Silicon Nitride Rolling Element   WT Standard Grease
Category	Single Row Ball Bearing
UNSPSC	31171504
Harmonized Tariff Code	8482.10.50.68
Noun	Bearing
Keyword String	Ball
Manufacturer URL	<a href="http://www.skf.com">http://www.skf.com</a>



## NTN BEARING USA CORP.

Manufacturer Item Number	6206-2RZTN9/HC5C3WT
Weight / LBS	0.439
Outer Race Width	0.63 Inch   16 Millimeter
Bore	1.181 Inch   30 Millimeter
Outside Diameter	2.441 Inch   62 Millimeter
Inner Race Width	0 Inch   0 Millimeter
bore diameter:	30 mm
static load capacity:	11.2 kN
outside diameter:	62 mm
finish/coating:	Uncoated
overall width:	16 mm
bearing material:	Steel
bore type:	Round
cage material:	Polyamide 66
closure type:	Double Sealed
fillet radius:	1 mm
row type & fill slot:	Single Row Non-Fill Slot
maximum rpm:	28000 rpm
snap ring included:	Without Snap Ring
weight:	0.4 lb
internal clearance:	C3
manufacturer product page:	<a href="#">Click here</a>
operating temperature range:	-40 to 212 ° F ° F
manufacturer upc number:	7316571529295
dynamic load capacity:	20.3 kN
d <sub>1</sub>	40.36 mm
D <sub>2</sub>	54.1 mm
d <sub>a</sub> min.	35.6 mm
d <sub>a</sub> max.	40.3 mm
D <sub>a</sub> max.	56.4 mm
r <sub>a</sub> max.	1 mm
Basic dynamic load rating C	20.3 kN



## NTN BEARING USA CORP.

Basic static load rating $C_0$	11.2 kN
Fatigue load limit $P_u$	0.475 kN
Calculation factor $k_r$	0.025
Calculation factor $f_0$	13.8
Mass bearing	0.18 kg