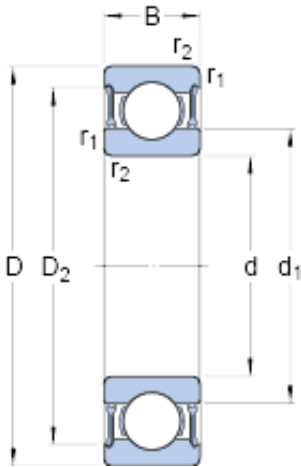




NTN BEARING USA CORP.



40 mm x 68 mm x 15 mm skf
 6008-2RZTN9/Hybrid deep groove
 ball bearings, single row

Bearing No. 6008-2RZTN9/Hybrid

6008-2RZTN9/Hybrid Bearing 2D drawings and 3D
 CAD models

Size	68x40x15 mm
Bore Diameter	68 mm
Outer Diameter	40 mm
Width	15 mm
d	40 mm
D	68 mm
B	15 mm
d ₁	49.25 mm
D ₂	61.1 mm
r _{1,2} - min.	1 mm
d _a - min.	44.6 mm
d _a - max.	49.2 mm
D _a - max.	63.4 mm
r _a - max.	1 mm
Basic dynamic load rating - C	17.8 kN
Basic static load rating - C ₀	11 kN
Fatigue load limit - P _u	0.49 kN
Reference speed	28000 r/min
Limiting speed	15000 r/min
Calculation factor - k _r	0.025
Calculation factor - f ₀	14.7
Category	Precision Ball Bearings
Inventory	0.0



NTN BEARING USA CORP.

Manufacturer Name	SKF
Minimum Buy Quantity	N/A
Weight / Kilogram	0.189
EAN	7316571456720
Product Group	B00308
Enclosure	2 Seals
Precision Class	ABEC 3 ISO P6
Material - Ball	Ceramic
Number of Bearings	1 (Single)
Contact Angle	0 Degree
Preload	None
Raceway Style	Not Applicable
Cage Material	Polyamide
Rolling Element	Ball Bearing
Enclosure Type	Non Contact Seal
Flush Ground	No
Inch - Metric	Metric
Other Features	Single Row Deep Groove Corrosion Resistant Ball Grease with Polyurea Thickener C3 Clearance
Long Description	40MM Bore; 68MM Outside Diameter; 15MM Width; 2 Seals Enclosure; ABEC 3 ISO P6 Precision; Ceramic Ball Material; 1 (Single) Bearings; 0 Degree Contact Angle; Polyamide Cage Material; Ball Bearing
Category	Precision Ball Bearings
UNSPSC	31171504
Harmonized Tariff Code	8482.10.50.68
Noun	Bearing
Keyword String	Deep Groove Ball
Manufacturer URL	http://www.skf.com



NTN BEARING USA CORP.

Manufacturer Item Number	6008-2RZTN9/HC5C3WT
Weight / LBS	0.417
Outside Diameter	2.677 Inch 68 Millimeter
Bore	1.575 Inch 40 Millimeter
Width	0.591 Inch 15 Millimeter
d_1	49.25 mm
D_2	61.1 mm
d_a min.	44.6 mm
d_a max.	49.2 mm
D_a max.	63.4 mm
r_a max.	0.3 mm
Basic dynamic load rating C	17.8 kN
Basic static load rating C_0	11 kN
Fatigue load limit P_u	0.49 kN
Calculation factor k_r	0.025
Calculation factor f_0	14.7
Mass bearing	0.19 kg