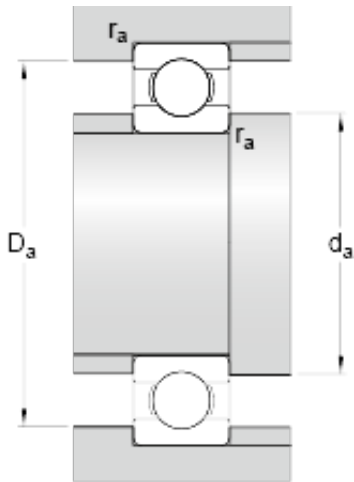




NTN BEARING USA CORP.



45 mm x 75 mm x 16 mm skf 6009/HC5C3
Hybrid deep groove ball bearings, single row

Bearing No. 6009/HC5C3

6009/HC5C3 Bearing 2D drawings and 3D CAD models

d	45 mm
D	75 mm
B	16 mm
d_1	54.75 mm
D_1	65.25 mm
$r_{1,2}$ min.	1 mm
d_a min.	50 mm
D_a max.	70 mm
r_a max.	0.3 mm
Basic dynamic load rating C	22.1 kN
Basic static load rating C_0	14.6 kN
Fatigue load limit P_u	0.64 kN
Reference speed	20000 r/min
Limiting speed	13000 r/min
Calculation factor k_r	0.025
Calculation factor f_0	14.9
Mass bearing	0.24 kg