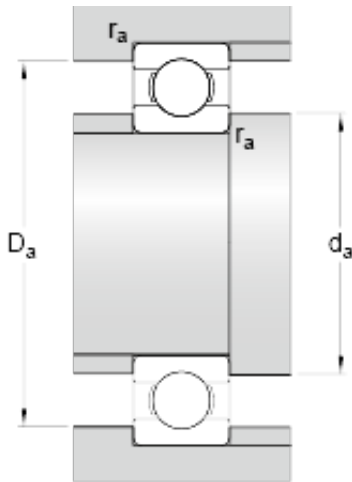




# NTN BEARING USA CORP.



15 mm x 35 mm x 11 mm skf 6202/HC5C3  
Hybrid deep groove ball bearings, single row

Bearing No. 6202/HC5C3

d	15 mm
D	35 mm
B	11 mm
d <sub>1</sub>	21.7 mm
D <sub>1</sub>	28.95 mm
d <sub>a</sub> min.	19.2 mm
D <sub>a</sub> max.	30.8 mm
r <sub>a</sub> max.	0.6 mm
Basic dynamic load rating C	8.06 kN
Basic static load rating C <sub>0</sub>	3.75 kN
Fatigue load limit P <sub>u</sub>	0.16 kN
Reference speed	50000 r/min
Limiting speed	32000 r/min
Calculation factor k <sub>r</sub>	0.025
Calculation factor f <sub>0</sub>	13.1
Mass bearing	0.045 kg

6202/HC5C3 Bearing 2D drawings and 3D CAD models