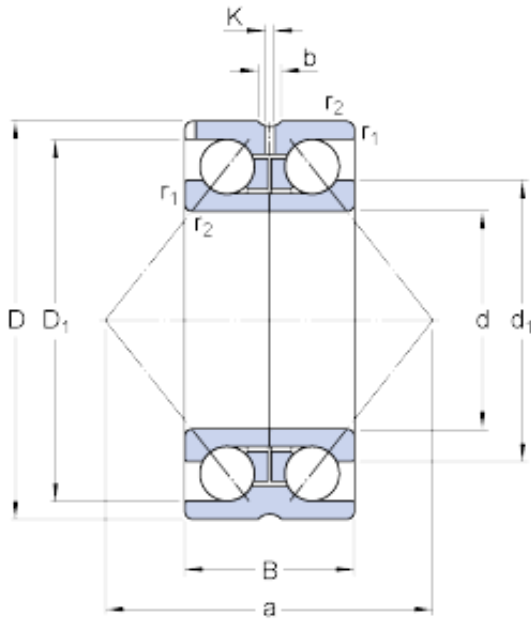




NTN BEARING USA CORP.



305283 DA Bearing 2D drawings and 3D CAD models

150 mm x 230 mm x 70 mm skf 305283 DA Double row angular contact ball bearings

Bearing No. 305283 DA

Size	230x150x70 mm
Bore Diameter	230 mm
Outer Diameter	150 mm
Width	70 mm
d	150 mm
D	230 mm
B	70 mm
d ₁	181 mm
D ₁	208.1 mm
b	7.8 mm
K	3 mm
r _{1,2} - min.	2 mm
a	138 mm
d _a - min.	155 mm
D _a - max.	206 mm
r _a - max.	2 mm
Basic dynamic load rating - C	203 kN
Basic static load rating - C ₀	285 kN
Fatigue load limit - P _u	9 kN
Reference speed	2400 r/min
Limiting speed	3000 r/min
Calculation factor - k _r	0.095
Calculation factor - e	1.14
Calculation factor - X	0.57



NTN BEARING USA CORP.

Calculation factor - Y_0	0.52
Calculation factor - Y_1	0.55
Calculation factor - Y_2	0.93
d_1	181 mm
D_1	208.1 mm
$r_{1,2}$ min.	2 mm
d_a min.	155 mm
D_a max.	206 mm
r_a max.	2 mm
Basic dynamic load rating C	203 kN
Basic static load rating C_0	285 kN
Fatigue load limit P_u	9 kN
Calculation factor k_r	0.095
Calculation factor e	1.14
Calculation factor X	0.57
Calculation factor Y_0	0.52
Calculation factor Y_1	0.55
Calculation factor Y_2	0.93
Mass bearing	10.6 kg