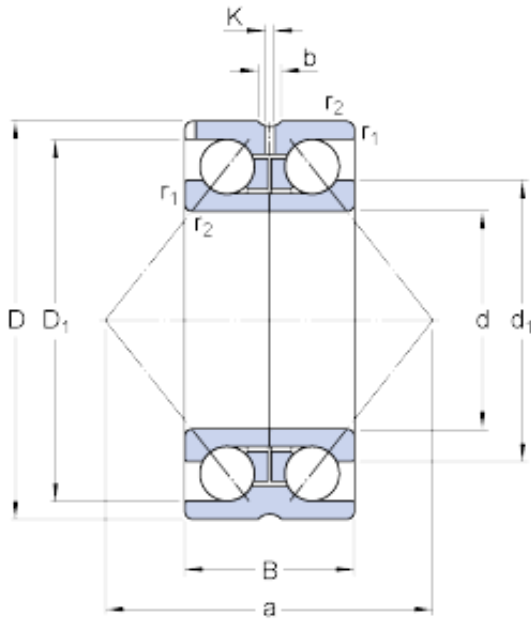




NTN BEARING USA CORP.



305288 DA Bearing 2D drawings and 3D CAD models

180 mm x 250 mm x 70 mm skf 305288 DA
Double row angular contact ball bearings

Bearing No. 305288 DA

Size	250x180x70 mm
Bore Diameter	250 mm
Outer Diameter	180 mm
Width	70 mm
d	180 mm
D	250 mm
B	70 mm
d ₁	207.45 mm
D ₁	234.7 mm
b	17.5 mm
K	6 mm
r _{1,2} - min.	2 mm
a	156 mm
d _a - min.	185 mm
D _a - max.	232 mm
r _a - max.	2 mm
Basic dynamic load rating - C	190 kN
Basic static load rating - C ₀	285 kN
Fatigue load limit - P _u	8.6 kN
Reference speed	2000 r/min
Limiting speed	2600 r/min
Calculation factor - k _r	0.095
Calculation factor - e	1.14
Calculation factor - X	0.57



NTN BEARING USA CORP.

Calculation factor - Y_0	0.52
Calculation factor - Y_1	0.55
Calculation factor - Y_2	0.93
d_1	207.45 mm
D_1	234.7 mm
$r_{1,2}$ min.	2 mm
d_a min.	185 mm
D_a max.	232 mm
r_a max.	2 mm
Basic dynamic load rating C	190 kN
Basic static load rating C_0	285 kN
Fatigue load limit P_u	8.65 kN
Calculation factor k_r	0.095
Calculation factor e	1.14
Calculation factor X	0.57
Calculation factor Y_0	0.52
Calculation factor Y_1	0.55
Calculation factor Y_2	0.93
Mass bearing	9.67 kg