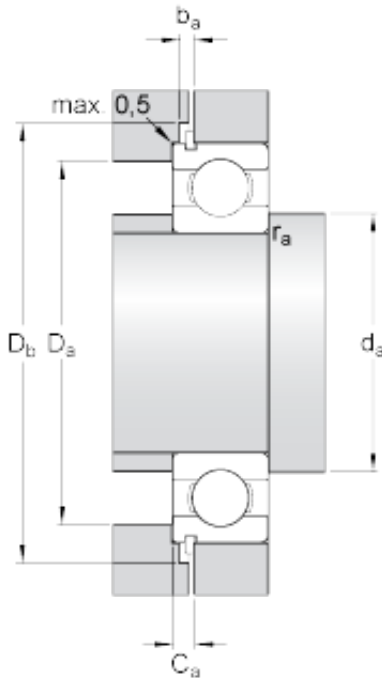




NTN BEARING USA CORP.

60 mm x 150 mm x 35 mm skf 6412 N Deep groove ball bearings

Bearing No. 6412 N



6412 N Bearing 2D drawings and 3D CAD models

d	60 mm
D	150 mm
B	35 mm
d ₁	88.16 mm
D ₁	121.55 mm
D ₃	145.24 mm
b	3.1 mm
C	4.9 mm
r ₀ max.	0.6 mm
r _{1,2} min.	2.1 mm
d _a min.	74 mm
D _a max.	136 mm
D _b min.	162 mm
b _a min.	3.5 mm
C _a max.	7.72 mm
r _a max.	2 mm
Basic dynamic load rating C	108 kN
Basic static load rating C ₀	69.5 kN
Fatigue load limit P _u	2.9 kN
Reference speed	10000 r/min
Limiting speed	6300 r/min
Calculation factor k _r	0.035
Calculation factor f ₀	12.3
Mass bearing	2.81 kg