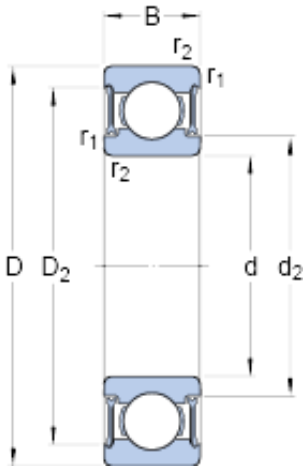




# NTN BEARING USA CORP.



15 mm x 32 mm x 9 mm skf W 6002-2RZ Deep groove ball bearings

Bearing No. W 6002-2RZ

W 6002-2RZ Bearing 2D drawings and 3D CAD models

Size	32x15x9 mm
Bore Diameter	32 mm
Outer Diameter	15 mm
Width	9 mm
d	15 mm
D	32 mm
B	9 mm
d <sub>2</sub>	18.6 mm
D <sub>2</sub>	29.05 mm
r <sub>1,2</sub> - min.	0.3 mm
D <sub>a</sub> - max.	30 mm
r <sub>a</sub> - max.	0.3 mm
Basic dynamic load rating - C	4.9 kN
Basic static load rating - C <sub>0</sub>	2.8 kN
Fatigue load limit - P <sub>u</sub>	0.12 kN
Reference speed	50000 r/min
Limiting speed	26000 r/min
Calculation factor - k <sub>r</sub>	0.03
Calculation factor - f <sub>0</sub>	13.9
d <sub>2</sub>	18.6 mm
D <sub>2</sub>	29.05 mm
r <sub>1,2</sub> min.	0.3 mm
d <sub>a</sub> min.	17 mm
d <sub>a</sub> max.	18.5 mm



## NTN BEARING USA CORP.

$D_a$ max.	30 mm
$r_a$ max.	0.3 mm
Basic dynamic load rating C	4.88 kN
Basic static load rating $C_0$	2.8 kN
Fatigue load limit $P_u$	0.12 kN
Calculation factor $k_r$	0.03
Calculation factor $f_0$	13.9
Mass bearing	0.028 kg