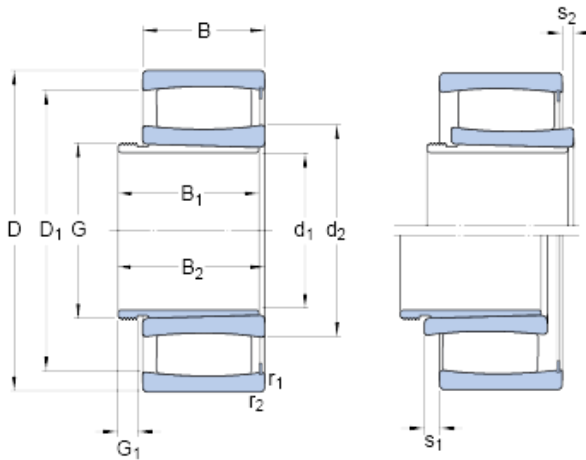




# NTN BEARING USA CORP.



skf C 4032 K30V + AH 24032 CARB toroidal roller bearings

Bearing No. C 4032 K30V + AH 24032

C 4032 K30V + AH 24032 Bearing 2D drawings and 3D CAD models

Size	240x150x95 mm
Bore Diameter	240 mm
Outer Diameter	150 mm
Width	95 mm
$d_1$	150 mm
D	240 mm
$B_1$	95 mm
$d_2$	181 mm
$D_1$	217 mm
B	80 mm
G	M 170x3
$G_1$	170 mm
$s_1$	18.1 mm
$s_2$	8.2 mm
$r_{1,2}$ - min.	2.1 mm
$d_a$ - min.	166 mm
$d_a$ - max.	199 mm
$D_a$ - max.	229 mm
$r_a$ - max.	2 mm
Basic dynamic load rating - C	915 kN
Basic static load rating - $C_0$	1460 kN
Fatigue load limit - $P_u$	140 kN
Limiting speed	600 r/min



## NTN BEARING USA CORP.

Factor - $k_1$	0.109
Factor - $k_2$	0.103
$d_1$	150 mm
$B_1$	95 mm
$d_2$	181 mm
$D_1$	217 mm
$B_2$	106 mm
$G_1$	15 mm
$s_1$ max.	18.1 mm
$s_2$ max.	8.2 mm
$r_{1,2}$ min.	2.1 mm
$d_a$ min.	166 mm
$d_a$ max.	199 mm
$D_a$ max.	229 mm
$r_a$ max.	2 mm
Basic dynamic load rating C	915 kN
Basic static load rating $C_0$	1460 kN
Fatigue load limit $P_u$	140 kN
Misalignment factor $k_1$	0.109
Operating clearance factor $k_2$	0.103
Mass bearing + sleeve	15 kg