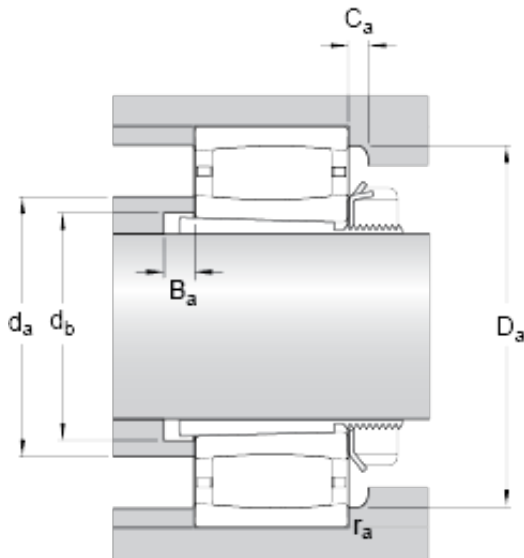




NTN BEARING USA CORP.



skf C 3130 K + H 3130 L CARB toroidal roller bearings

Bearing No. C 3130 K + H 3130 L

C 3130 K + H 3130 L Bearing 2D drawings and 3D CAD models

| | |
|---|------------|
| d ₁ | 135 mm |
| D | 250 mm |
| B | 80 mm |
| B ₁ | 111 mm |
| d ₂ | 182 mm |
| d ₃ | 180 mm |
| D ₁ | 226 mm |
| B ₄ | 26 mm |
| s ₁ max. | 13.9 mm |
| r _{1,2} min. | 2.1 mm |
| d _a max. | 196 mm |
| d _b min. | 160 mm |
| D _a min. | 214 mm |
| D _a max. | 238 mm |
| B _a min. | 8 mm |
| C _a min. | 2.3 mm |
| r _a max. | 2 mm |
| Basic dynamic load rating C | 880 kN |
| Basic static load rating C ₀ | 1290 kN |
| Fatigue load limit P _u | 122 kN |
| Reference speed | 2000 r/min |
| Limiting speed | 2800 r/min |
| Misalignment factor k ₁ | 0.12 |
| Operating clearance factor k ₂ | 0.092 |
| Mass bearing + sleeve | 20 kg |



NTN BEARING USA CORP.