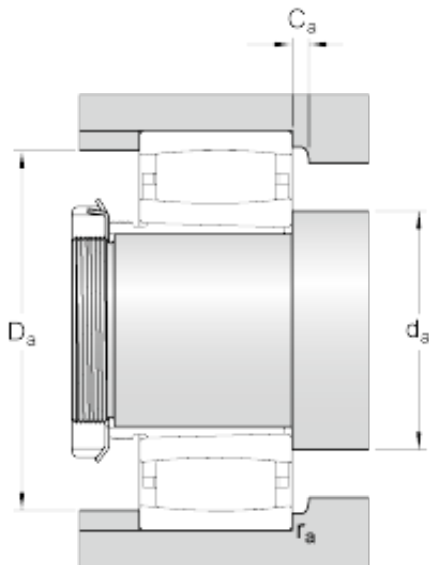




NTN BEARING USA CORP.



skf C 3236 K + AH 3236 G CARB toroidal roller bearings

Bearing No. C 3236 K + AH 3236 G

C 3236 K + AH 3236 G Bearing 2D drawings and 3D CAD models

d_1	170 mm
D	320 mm
B	112 mm
B_1	140 mm
d_2	228 mm
D_1	289 mm
B_2	146 mm
G	M 190x3
G_1	24 mm
s_1 max.	27.3 mm
$r_{1,2}$ min.	4 mm
d_a min.	189 mm
d_a max.	249 mm
D_a min.	271 mm
D_a max.	303 mm
C_a min.	3.2 mm
r_a max.	3 mm
Basic dynamic load rating C	1530 kN
Basic static load rating C_0	2200 kN
Fatigue load limit P_u	193 kN
Reference speed	1500 r/min
Limiting speed	2000 r/min
Misalignment factor k_1	0.107
Operating clearance factor k_2	0.104
Mass bearing + sleeve	41.5 kg



NTN BEARING USA CORP.