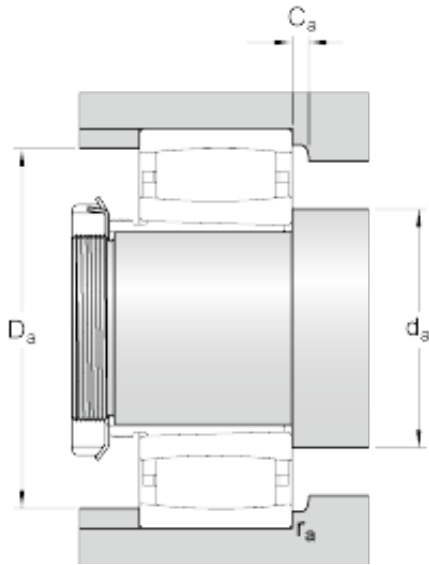




# NTN BEARING USA CORP.

## skf C 2218 K + AHX 318 CARB toroidal roller bearings

Bearing No. C 2218 K + AHX 318



C 2218 K + AHX 318 Bearing 2D drawings and 3D CAD models

$d_1$	85 mm
D	160 mm
B	40 mm
$B_1$	53 mm
$d_2$	111 mm
$D_1$	144 mm
$B_2$	57 mm
G	M 100x2
$G_1$	9 mm
$s_1$ max.	9.5 mm
$r_{1,2}$ min.	2 mm
$d_a$ min.	95.6 mm
$d_a$ max.	124 mm
$D_a$ min.	133 mm
$D_a$ max.	149 mm
$C_a$ min.	1.4 mm
$r_a$ max.	2 mm
Basic dynamic load rating C	325 kN
Basic static load rating $C_0$	380 kN
Fatigue load limit $P_u$	41.5 kN
Reference speed	3800 r/min
Limiting speed	5300 r/min
Misalignment factor $k_1$	0.104
Operating clearance factor $k_2$	0.117
Mass bearing + sleeve	3.75 kg



**NTN BEARING USA CORP.**