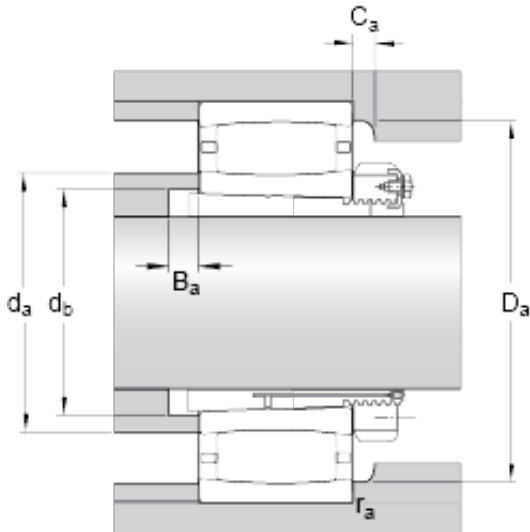




NTN BEARING USA CORP.



skf C 3096 KM + OH 3096 H CARB toroidal roller bearings

Bearing No. C 3096 KM + OH 3096 H

C 3096 KM + OH 3096 H Bearing 2D drawings and 3D CAD models

d_1	450 mm
D	700 mm
B	165 mm
B_1	237 mm
d_2	555 mm
d_3	560 mm
D_1	640 mm
B_2	60 mm
B_5	77 mm
s_1 max.	35.5 mm
$r_{1,2}$ min.	6 mm
d_a max.	586 mm
d_b min.	499 mm
D_a min.	620 mm
D_a max.	677 mm
B_a min.	18 mm
C_a min.	2.3 mm
r_a max.	5 mm
Basic dynamic load rating C	4050 kN
Basic static load rating C_0	7800 kN
Fatigue load limit P_u	530 kN
Reference speed	670 r/min
Limiting speed	900 r/min
Misalignment factor k_1	0.113
Operating clearance factor k_2	0.11



NTN BEARING USA CORP.

Mass bearing + sleeve

275 kg
